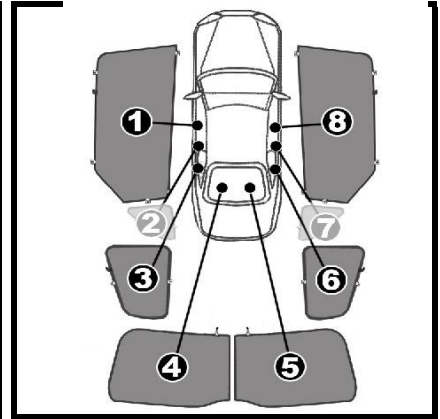


# INSTALLATION INSTRUCTIONS

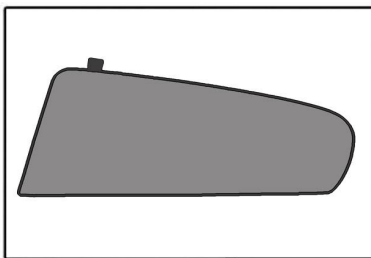
AUDI A5 5 DOOR

AU-A5-5-A

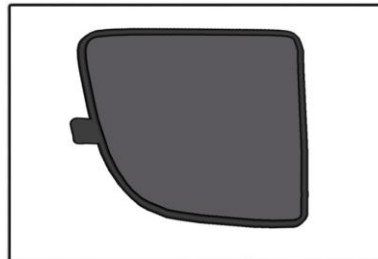


## COMPONENTS INCLUDED

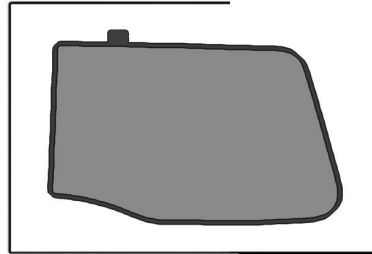
### SHADES



1+8



3+6



4+5

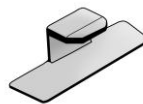
### FIXING CLIPS



CL-M12 x4



CL-M02 x2



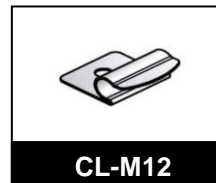
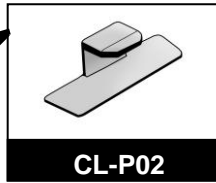
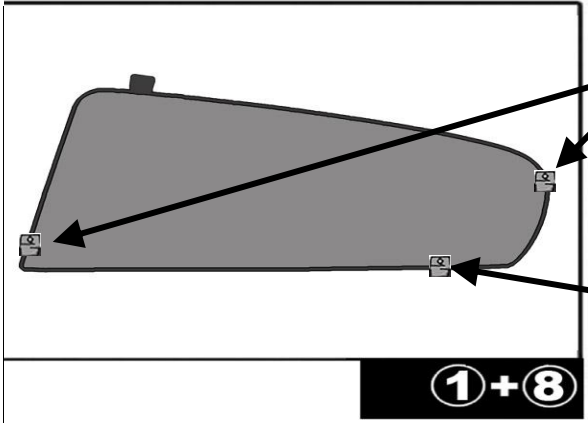
CL-P02 x4



CL-P14 x1



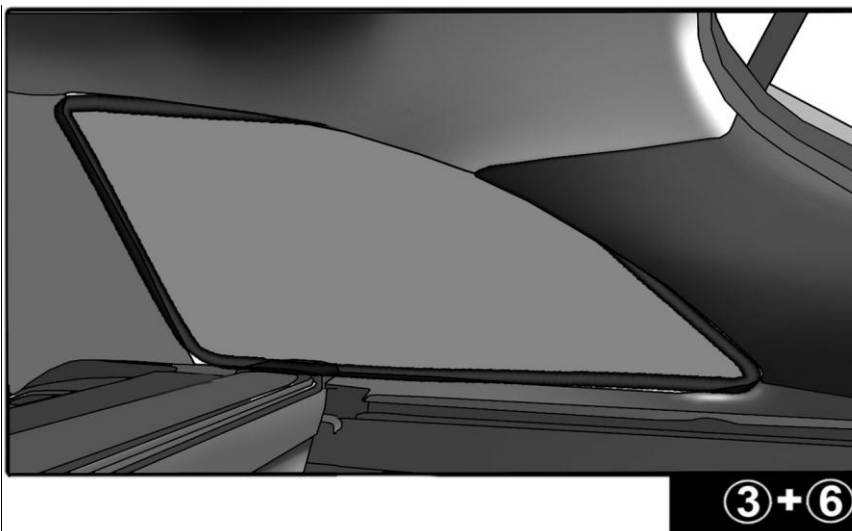
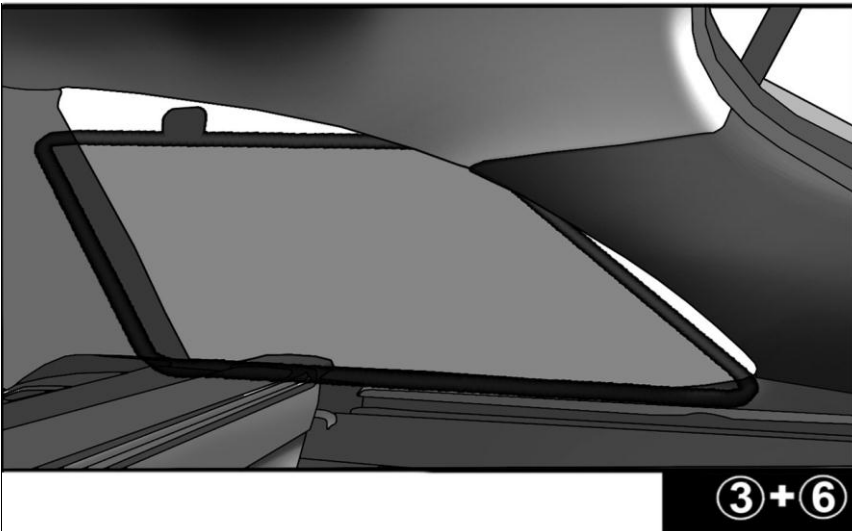
SIDE SHADE INSTALLATION



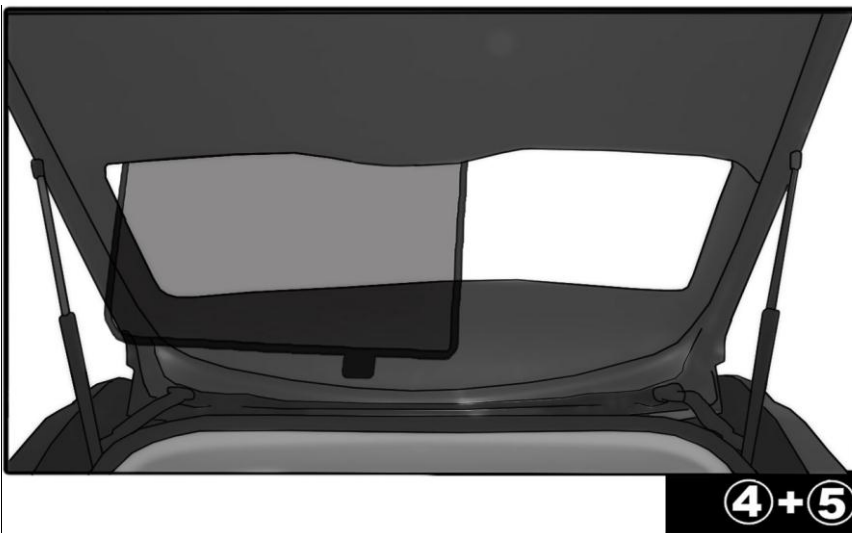
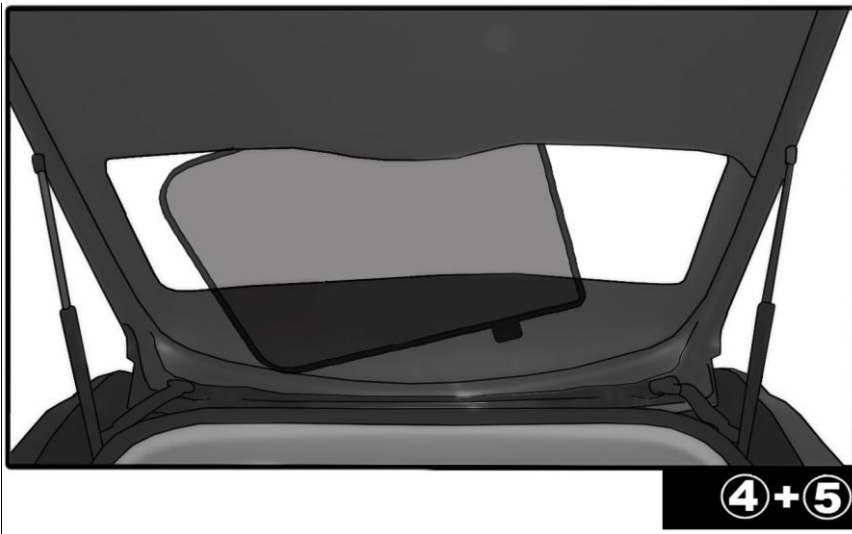
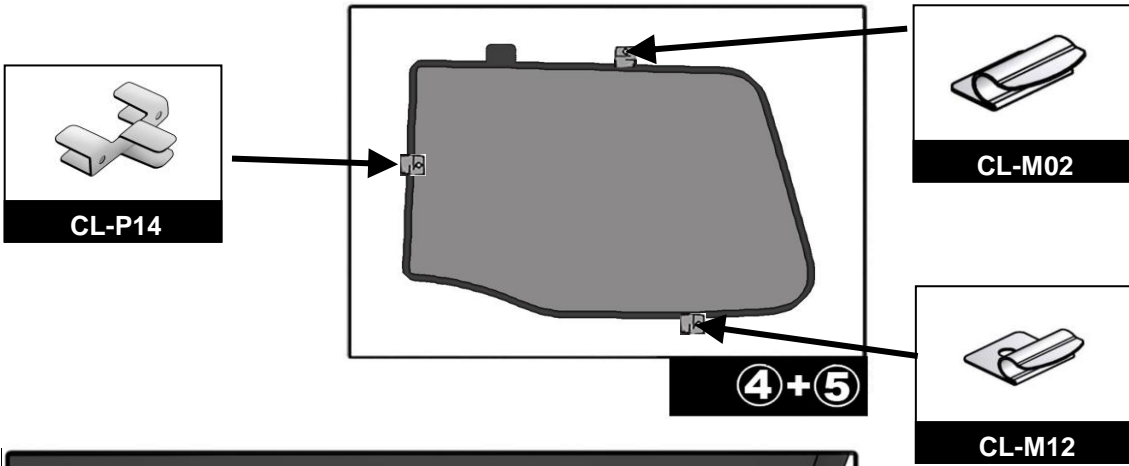
Please ensure the whole surface is wiped before sticking the clips to the trim .



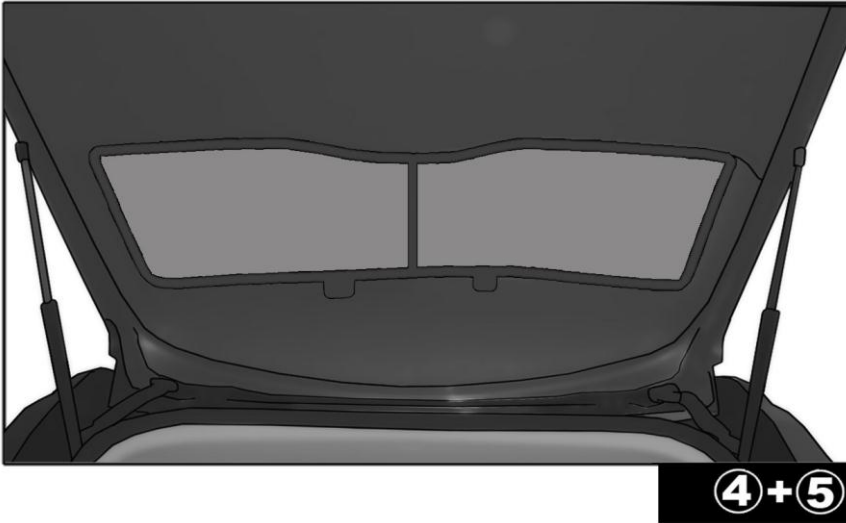
QUARTER LIGHT SHADE INSTALLATION



REAR SHADE INSTALLATION



REAR SHADE INSTALLATION



The pictures shown are for illustration only and do not reflect the actual size of the blinds.